

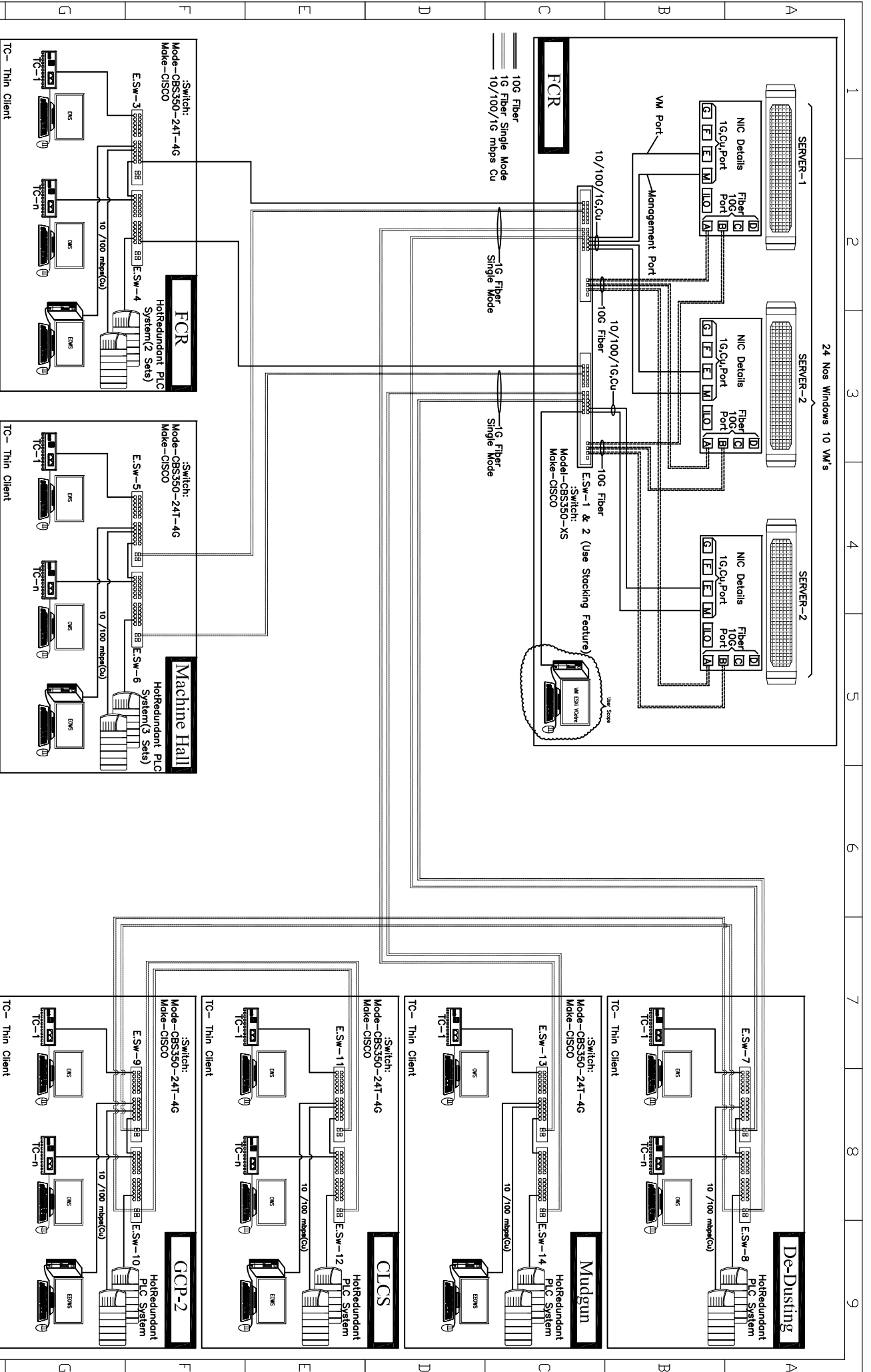
PLC AND HMI NETWORK ARCHITECTURE WITH VIRTUALIZE SYSTEM BF2,BSL

	APPLICATION	BF-2 PLC AND HMI SYSTEM NETWORKING WITH VIRTUALIZED SYSTEM		
	P.O. NO.	P167462451007390 dtd.31.08.22		
	CONSULTANT	-		
	CLIENT	-		
	END USER	BSL		
NO.	REVISION	SIGN.	DATE	



THIS DRG IS EXCLUSIVE PROPERTY OF M/S EMCON'S ANY UNAUTHORISED REPRODUCTION IS STRICTLY PROHIBITED.

TITLE	SYSTEM ARCHITECTURE		
DRG. NO.	32-34-133	SHEET NO.	1
REF. DRG. NO.	-	NEXT SHT.	2
DRAWN BY	Manish K. Singh	DATE	23.12.2022
CHECKED BY	Siddharth S. Bhumra	REV.	01

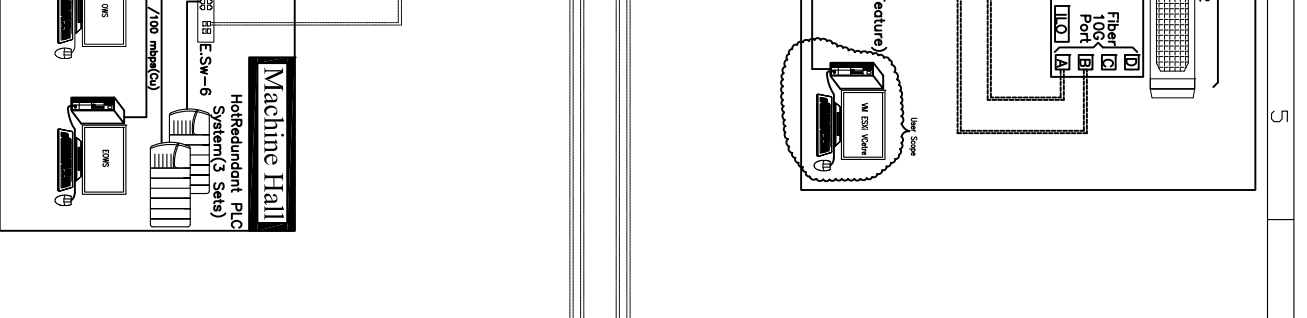


24 Nos Windows 10 VM's

NO.	REVISION	SIGN	DATE	END USER	BSL
-----	----------	------	------	----------	-----

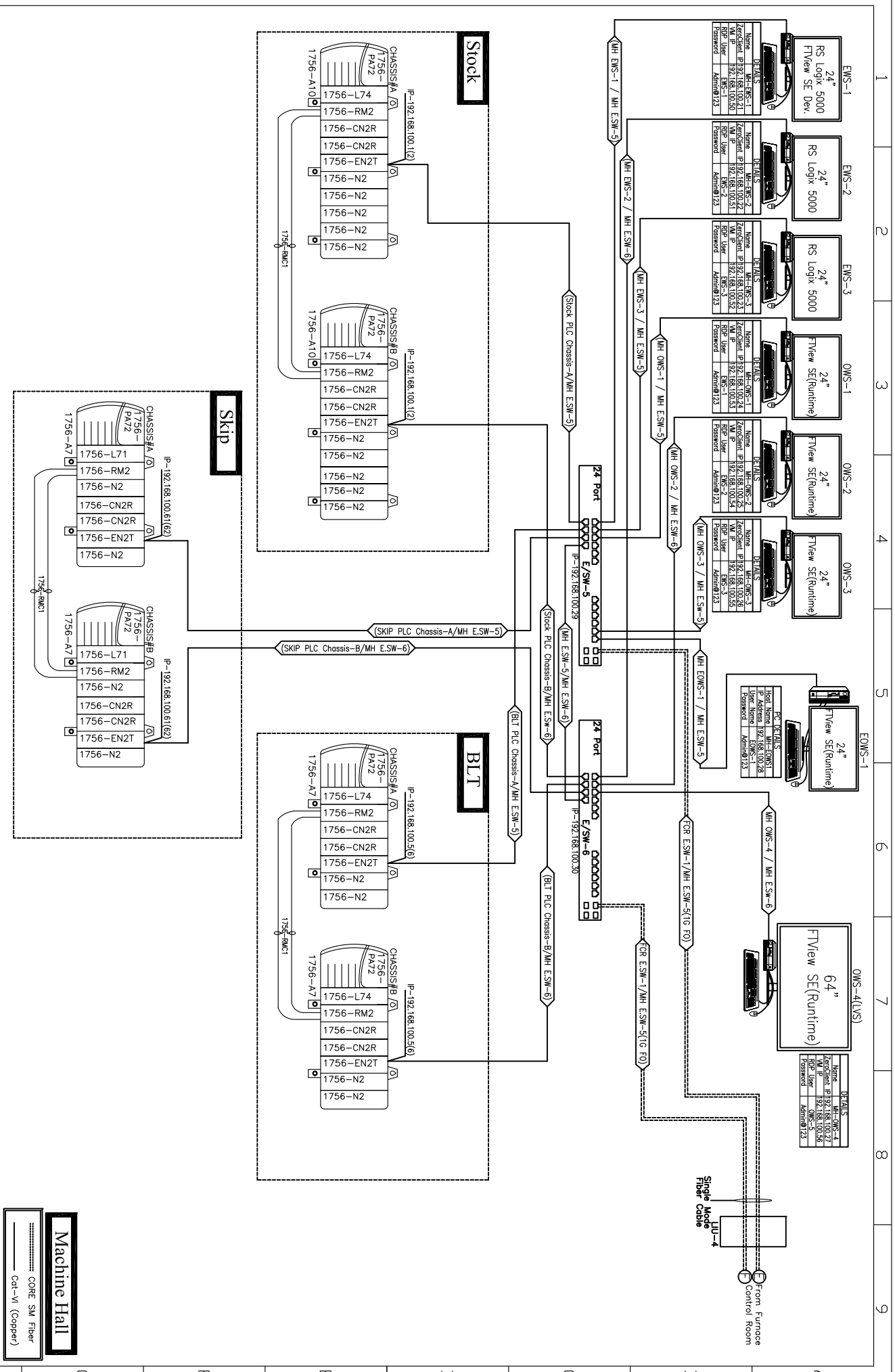
APPLICATION	BF-2, PLC AND HMI SYSTEM NETWORKING WITH VIRTUALISED SYSTEM
P.O. NO.	P1627462/451007390 dtd 31.08.22
CONSULTANT	-
CLIENT	-
END USER	BSL

TITLE	BLOCK DIAGRAM OF SYSTEM ARCHITECTURE
DRG. NO.	32-34-133
REF. DRG. NO.	NEXT SHT. 3
DRAWN BY	KESHAV
DATE	23.12.2022
CHECKED BY	SSB
REV.	01



THIS DRG IS EXCLUSIVE PROPERTY OF M/S EMCONS ANY UNAUTHORISED REPRODUCTION IS STRICTLY PROHIBITED.

NO.	REVISION	SIGN	DATE	END USER	BSL
-----	----------	------	------	----------	-----



Machine Hall
 CORE SM Fiber
 Cat-M (Cooper)

APPLICATION: BF-2, PLC AND HMI SYSTEM NETWORKING WITH VIRTUALISED SYSTEM

P.O. NO.: P16(2)462/451/007390 dtd.31.08.22

CONSULTANT: -

CLIENT: -

END USER: BSL



THIS DRG IS EXCLUSIVE PROPERTY OF M/S EMCONS ANY UNAUTHORISED REPRODUCTION IS STRICTLY PROHIBITED.

TITLE: SYSTEM ARCHITECTURE

DRG. NO.: 32-34-133

SHEET NO.: 5

REF. DRG. NO.: -

NEXT SHT.: 6

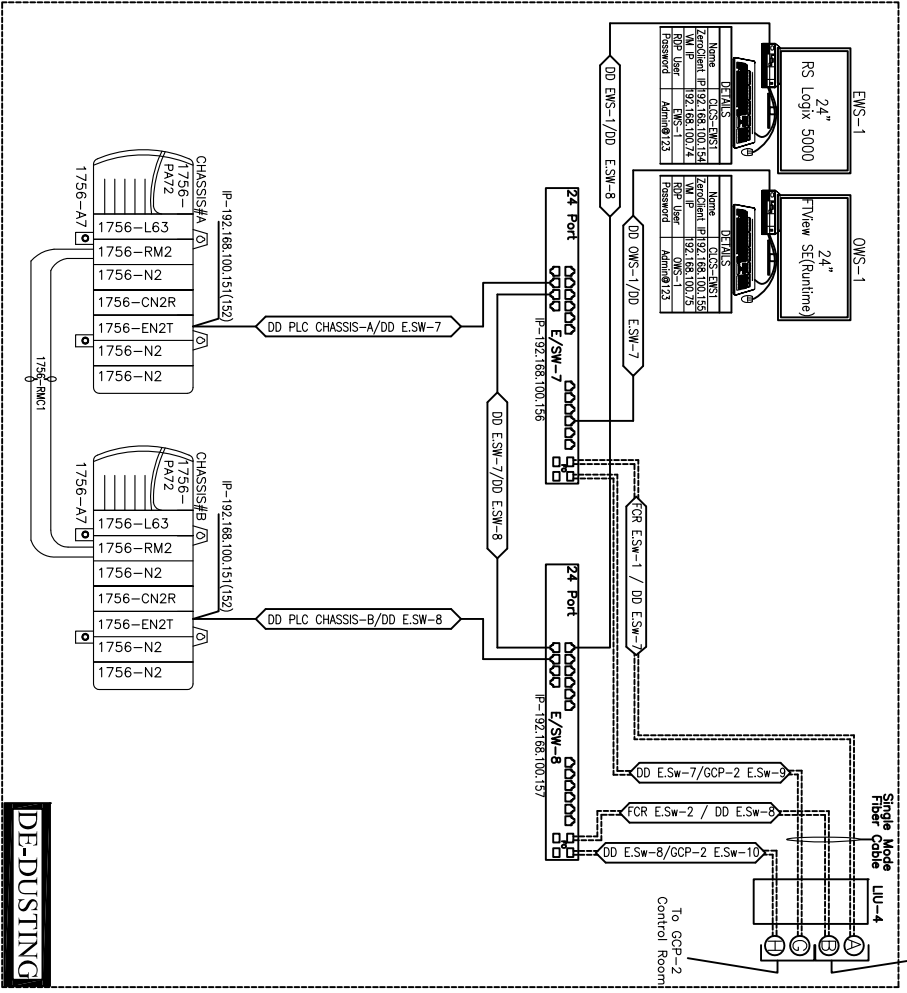
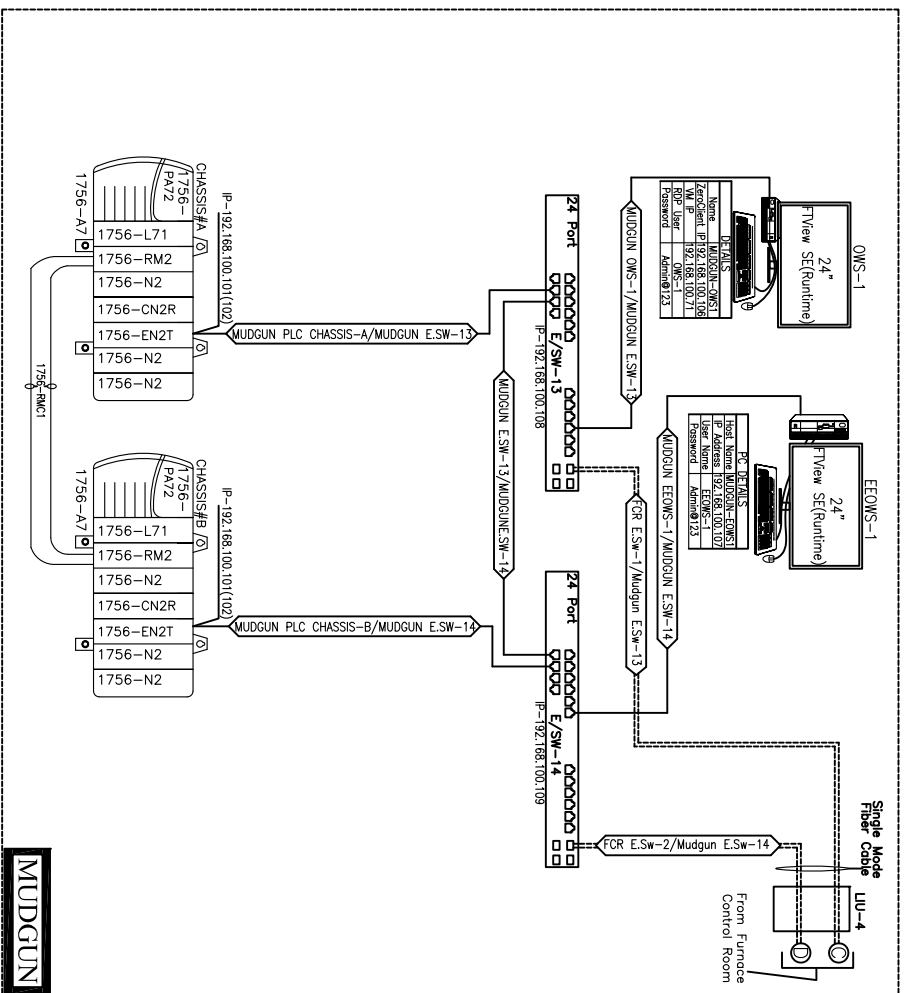
DRAWN BY: Manish K. Singh

DATE: 23.12.2022

CHECKED BY: Sudharth S. Bhanua

REV.: 01

NO.	REVISION	SIGN.	DATE
-----	----------	-------	------



APPLICATION: BF-2 PLC AND HMI SYSTEM NETWORKING WITH VIRTUALISED SYSTEM

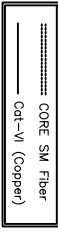
IP NO.: P16c746c2451007390 dtd.31.08.22

CLIENT: -

END USER: BSL

DATE: -

REVISION: SIGN: DATE: END USER: BSL

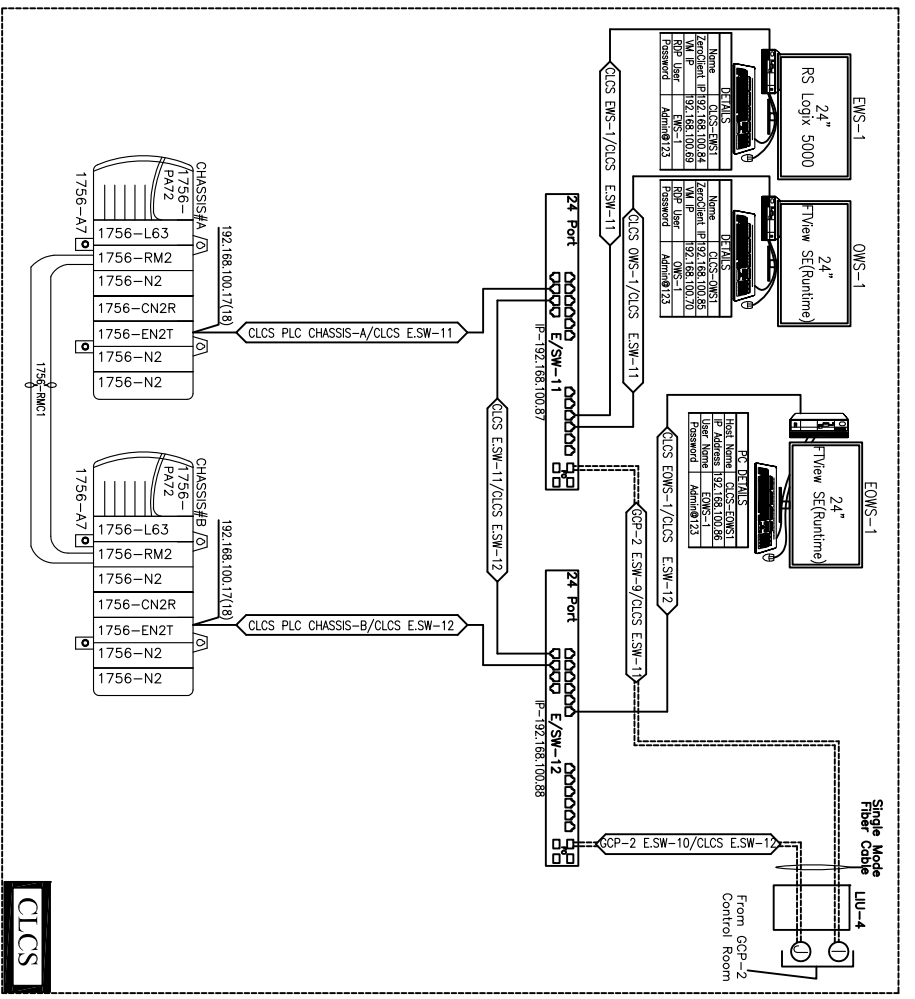
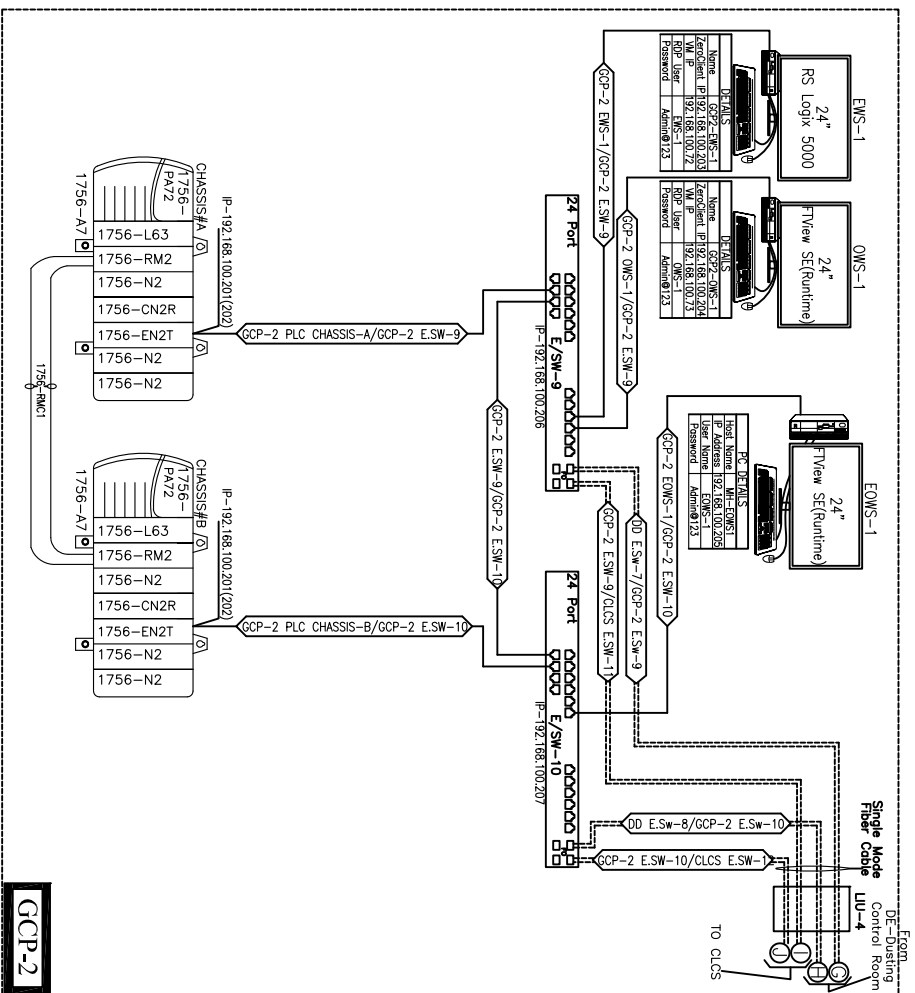


NO.	REVISION	SIGN	DATE	END USER	BSL
APPLICATION: BF-2 PLC AND HMI SYSTEM NETWORKING WITH VIRTUALISED SYSTEM					
IP NO.: P16c746c2451007390 dtd.31.08.22					
CLIENT: -					
END USER: BSL					
DATE: -					
REVISION: SIGN: DATE: END USER: BSL					



THIS DRG IS EXCLUSIVE PROPERTY OF M/S EMCON'S ANY UNAUTHORISED REPRODUCTION IS STRICTLY PROHIBITED.

TITLE		SYSTEM ARCHITECTURE			
DRG. NO.	32-34-133	SHEET NO.	6	DATE	23.12.2022
REF. DRG. NO.	-	NEXT SHT.	7	DATE	23.12.2022
DRAWN BY	Manish K. Singh	CHECKED BY	Sudhanshu S. Bhanua	REV.	01



APPLICATION: BF-2 PLC AND HMI SYSTEM NETWORKING WITH VIRTUALISED SYSTEM

REVISION: SIGN: DATE: END USER: BSL

EMCON

THIS DRG IS EXCLUSIVE PROPERTY OF M/S EMCONS ANY UNAUTHORISED REPRODUCTION IS STRICTLY PROHIBITED.

TITLE: SYSTEM ARCHITECTURE

DRG. NO.: 32-34-133

SHEET NO.: 7

REF. DRG. NO.: -

NEXT SHT.: -

DRAWN BY: Manish K. Singh

DATE: 23.12.2022

CHECKED BY: Sidharth S. Bhumra

REV.: 01

CONC SW Fiber

Cat-VI (Copper)

NO.	REVISION	SIGN	DATE	END USER	BSL
-----	----------	------	------	----------	-----